



# TAMEO KITS



**TMK 408**  
**Red Bull Racing Renault RB8**  
**G.P. MONACO 2012**  
**Winner Mark Webber**  
[www.tameokits.com](http://www.tameokits.com)



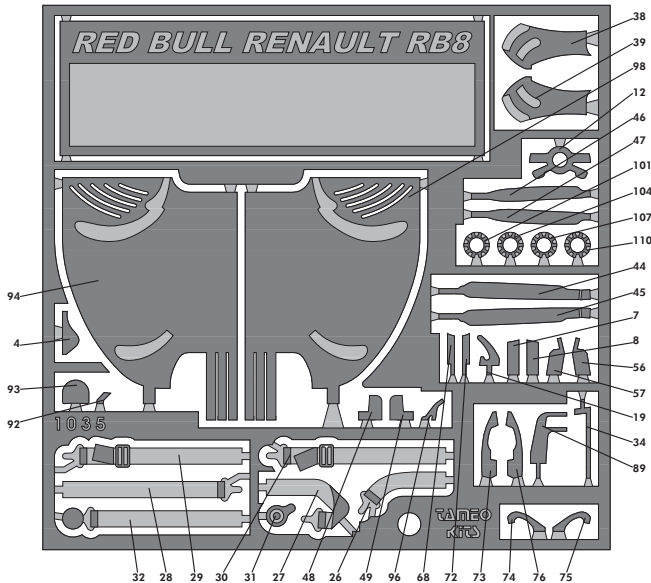
Red Bull® Marks and the Red Bull Racing Logos  
are licensed by Red Bull GmbH / Austria.



## Colour conversion - Conversione colori - Farbenumwandlung Conversion de couleurs - Cores conversiionados

<p>MATT BLACK NERO OPACO MATTSCHWARZ NOIRE OPAQUE NEGRO OPACO</p> <p>TAMIYA XF1</p>	<p>ALUMINIUM ALLUMINIO ALUMINIUM ALUMINIUM ALUMINIO</p> <p>TAMIYA XF16</p>	<p>PEARL CLEAR TRASPARENTE PERLATO KLARLACK PERLEFFECT TRANSPARENT PERLE TRANSPARENT PERLADO</p> <p>TAMIYA TS65</p>	<p>SILVER ARGENTO SILBER ARGENT PLATA</p> <p>TAMIYA X11</p>	<p>GOLD ORO GOLD OR ORO</p> <p>TAMIYA X12</p>	<p>FLAT RED ROSSO OPACO MATTROT ROUGE OPAQUE ROJO MATE</p> <p>TAMIYA XF7</p>	<p>METALLIC SILVER ARGENTO METALLIZZATO METALLISERT SILBER ARGENT METALISE PLATA METALIZADA</p> <p>TAMIYA TS83</p>	<p>WHITE BIANCO WEISS BLANC BLANCO</p> <p>TAMIYA TS26</p>	<p>MATT BLACK NERO OPACO MATTSCHWARZ NOIRE OPAQUE NEGRO OPACO</p> <p>TAMIYA TS6</p>
---	--	---	---	---	--	--	---	---

## Photoetcheds - Fotoincisioni - Fotogeaztzt Photogravures - Fotograbado



**TAMEO KITS**  
scale racing car models

**TAMEO KITS** srl

Via Valle, 111 - P.O. Box 61  
17022 BORGIO VEREZZI SV ITALY  
Tel. 39 019 - 615.250 Fax. 39 019 - 615.310

website [www.tameokits.com](http://www.tameokits.com)  
e-mail [sales@tameokits.com](mailto:sales@tameokits.com)  
e-mail [technical@tameokits.com](mailto:technical@tameokits.com)

Made in Italy. Modello per collezionisti in scala 1/43. Vietata la vendita ai minori di 14 anni. Nocivo per ingestione. Conservare fuori dalla portata dei bambini. Tameo Kits declina ogni responsabilità per un uso improprio del prodotto.

Made in Italy. Collector 1/43 Scale Models. Not for sale to persons under 14 years of age. Dangerous if swallowed. Keep out of reach of children. Tameo Kits not held responsible for any damage or injury resulting from improper use of the product.

Made in Italy. Modèle pour collectionneurs échelle 1/43. Vente interdite aux enfants de moins de 14 ans. Dangereux si avalé. Conserver hors de la portée des enfants. Tameo Kits decline toute responsabilité dans le cas de dommages dérivants de l'usage non approprié du produit.

Made in Italy. Sammiermodell im Massstab 1/43. Verkauf an Jugendliche unter 14 Jahren verboten. Schädlich bei Verschlucken. Tameo Kits lehnt jede Verantwortung bei unsachgemässer Benutzung des Produktes ab.

Hecho en Italia. Colección de modelos a escala 1/43. Prohibida la venta a menores de 14 años. No comestible. Mantener fuera del alcance a de los niños. Tameo Kits no se hace responsable de los daños causados por el uso incorrecto de este producto.

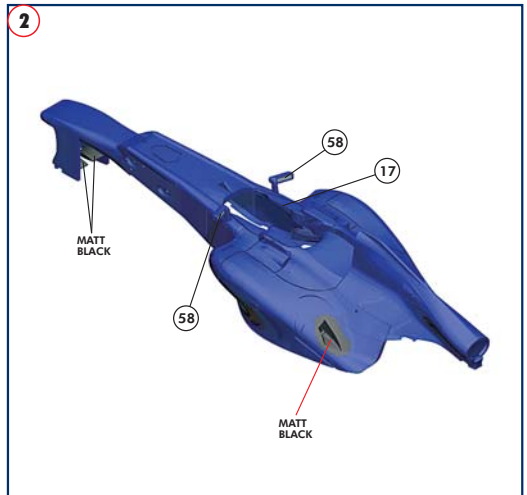
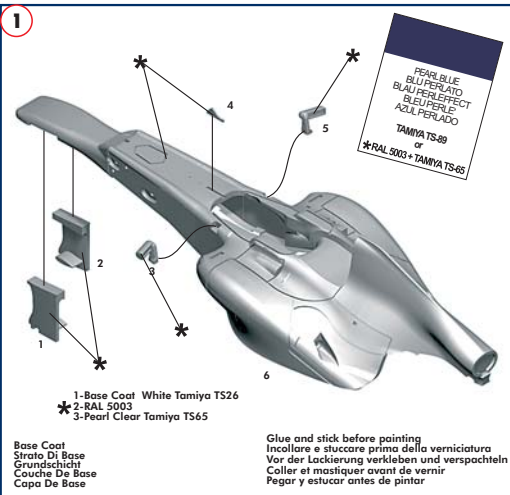
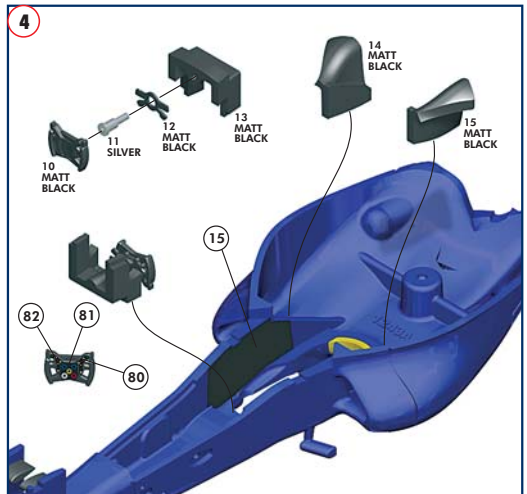
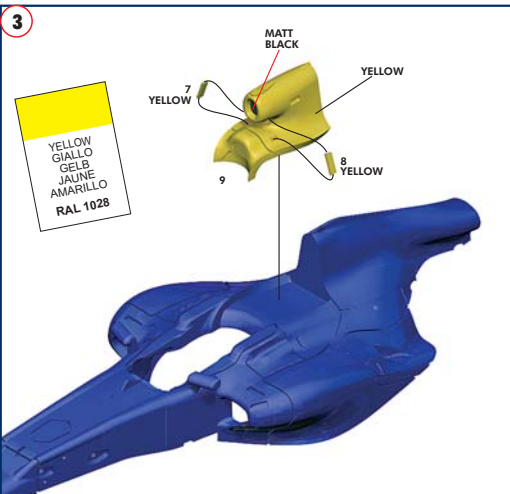
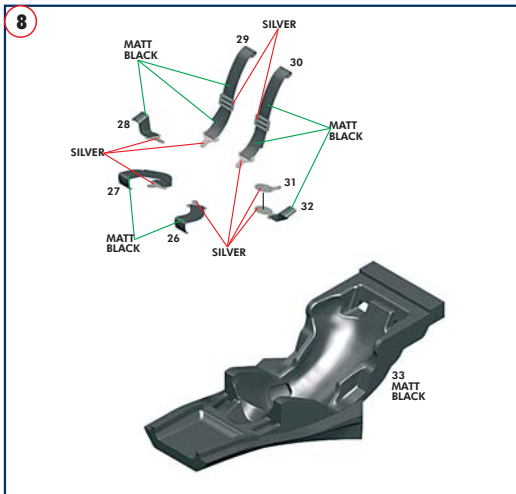
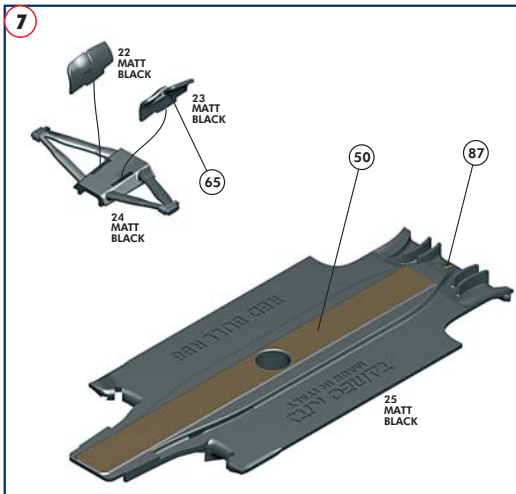
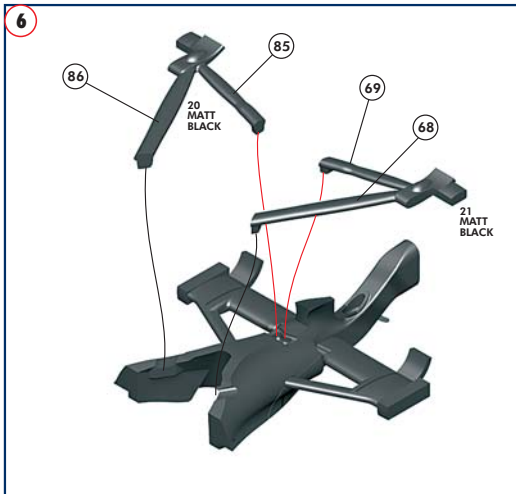
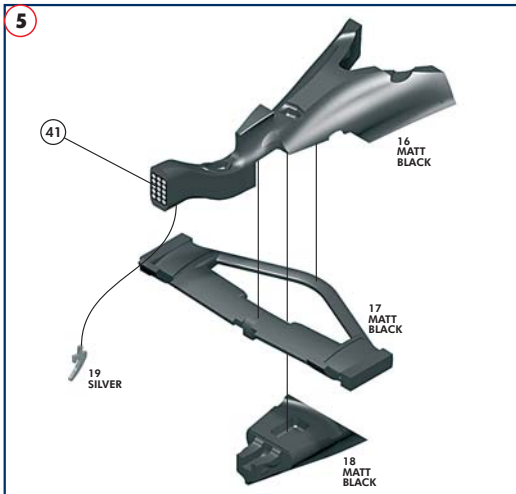
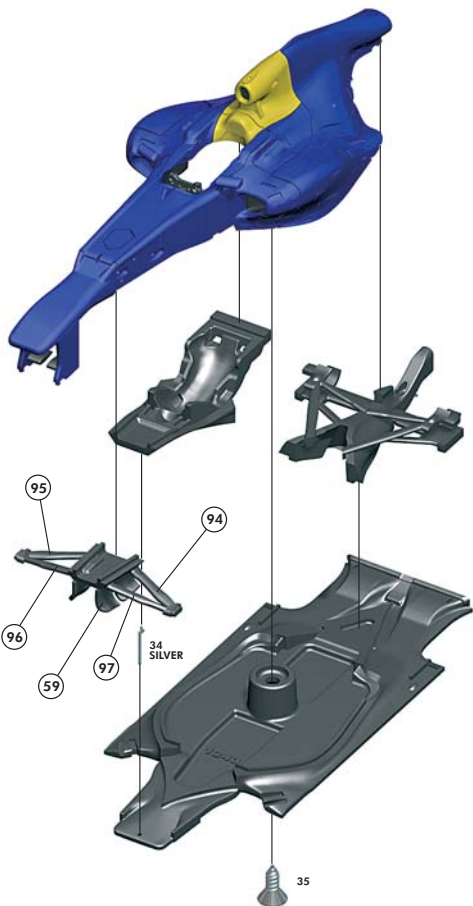


photo Tameo Kits archives

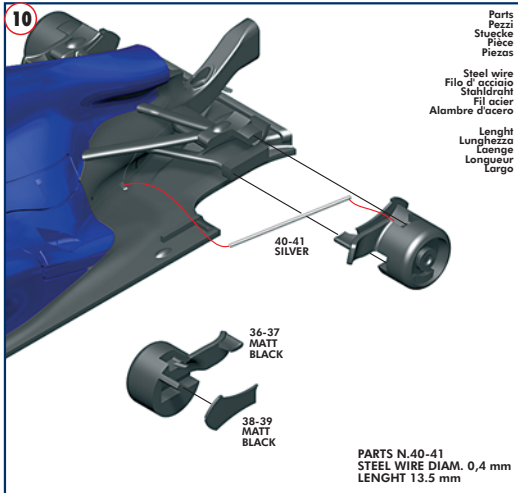




9



10



Parts  
Pezzi  
Stuecke  
Pieças  
Piezas

Steel wire  
Filo d'acciaio  
Stahldraht  
Fil acier  
Alambre d'acero

Length  
Lunghezza  
Länge  
Longueur  
Largo

PARTS N.40-41  
STEEL WIRE DIAM. 0,4 mm  
LENGHT 13.5 mm

11

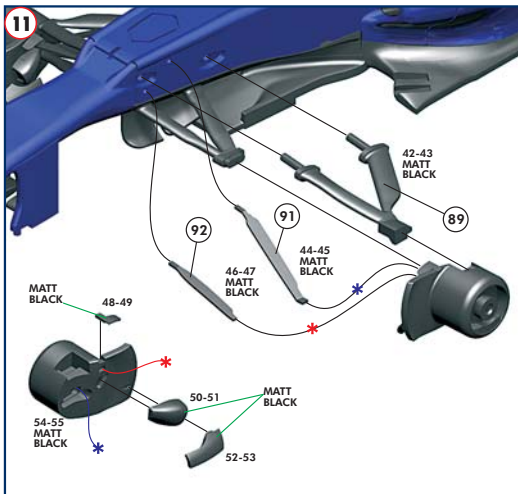
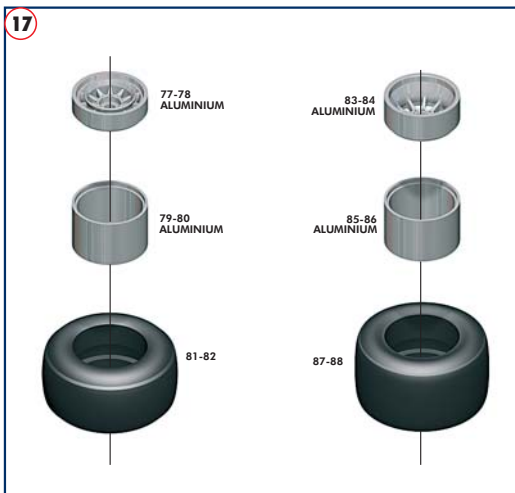
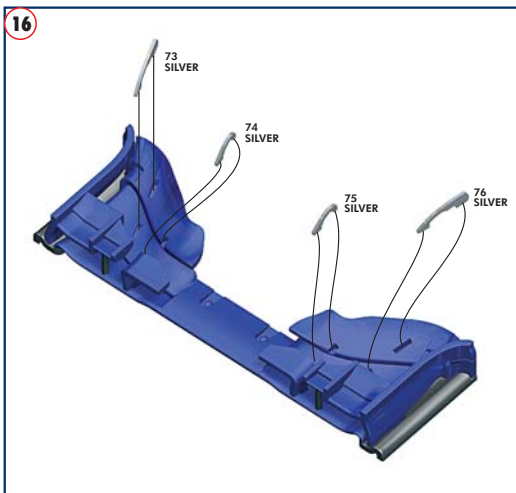
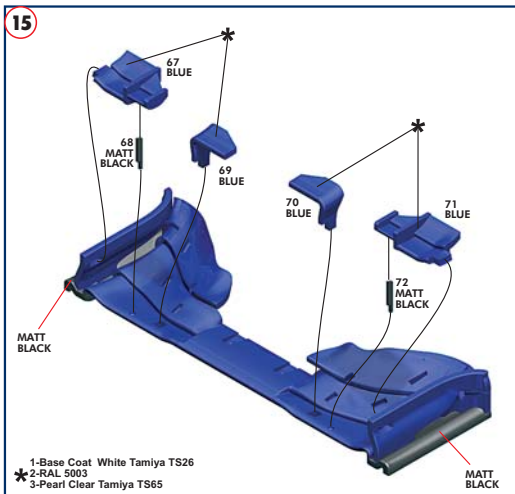
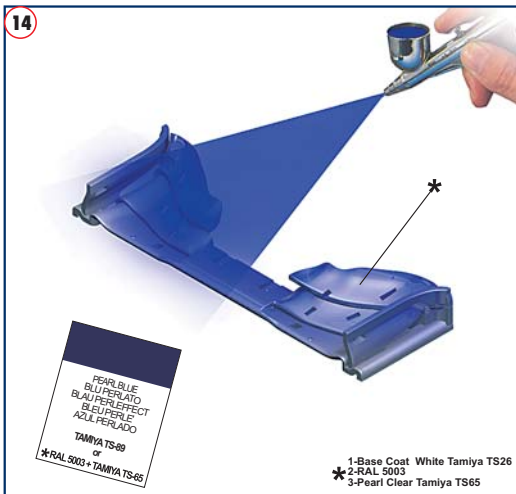
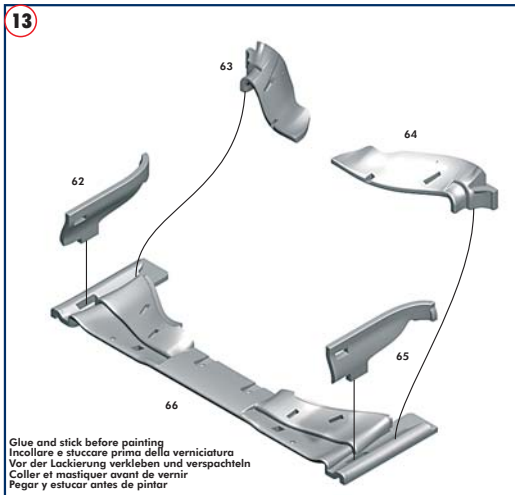
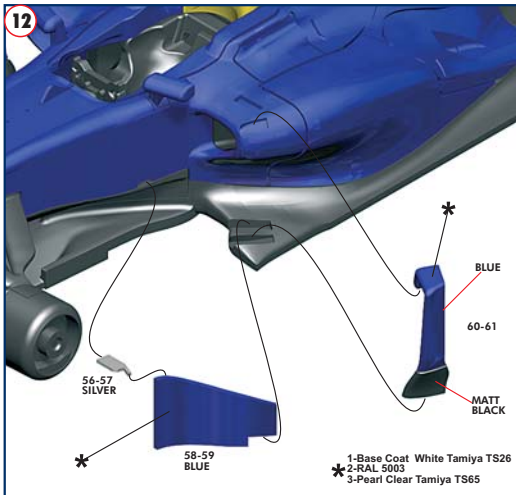
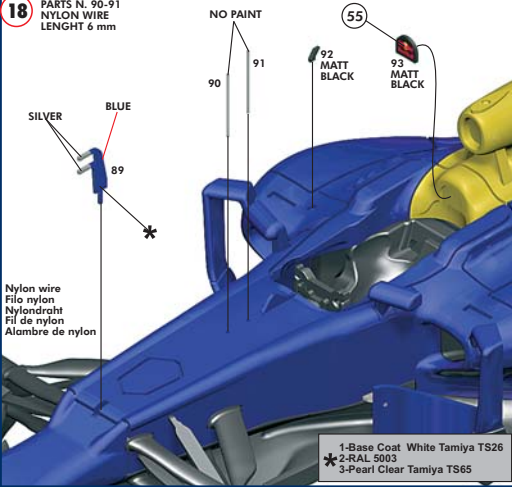


photo Tameo Kils on line

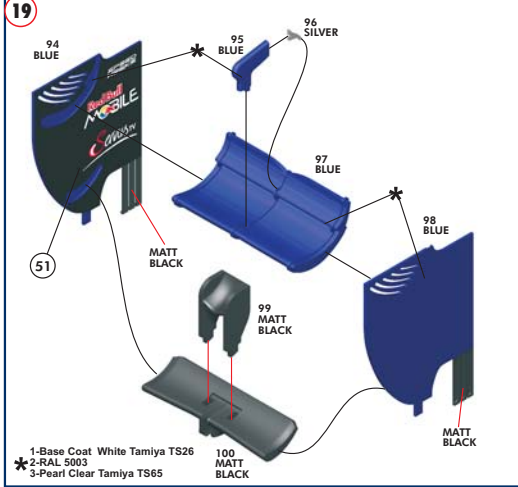




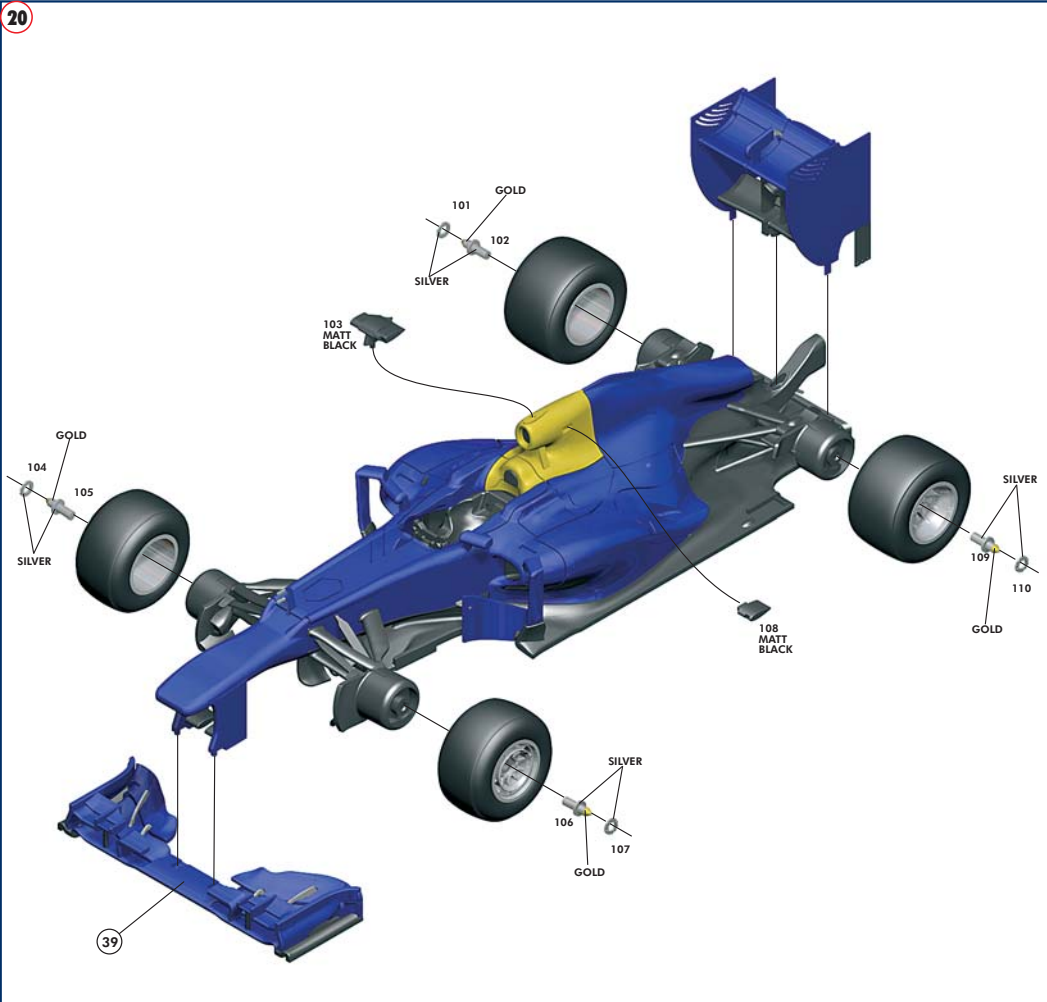
**18** PARTS N. 90-91  
 NYLON WIRE  
 LENGHT 6 mm



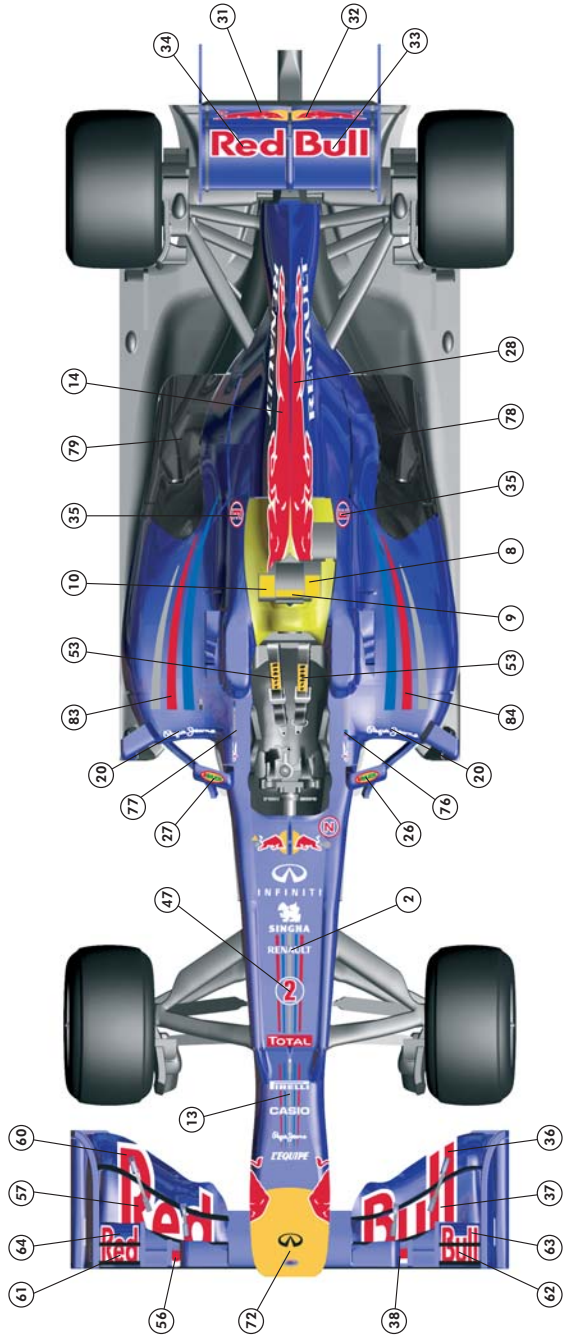
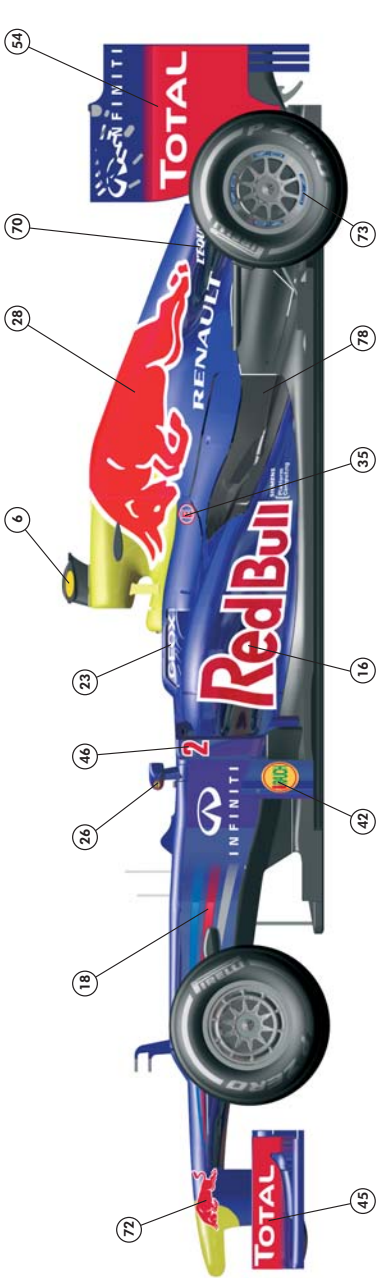
**19**



**20**



# TMK 408 RED BULL RACING RENAULT RB8 G.P. MONACO 2012



2 - Mark Webber

Winner